

Aspire

The Aspire is a new concept in self-serve technology specifically designed to speed the flow of guests and improve their experience. As a digital turnstile the Aspire provides added capacity to verify tickets at the entry point into the theatre without the need for additional personnel. By using multiple stations the crush of a big crowd entering for a major attraction can be accommodated without delays and while maintaining verification of valid tickets. This avoids the tendency for anxious crowds to push by your staff person and avoid ticket verification. Let technology improve the guest experience while allowing you to control entry with the same staffing.

The Aspire can be used in many other applications. Do you need a station where guests can register for your loyalty card or update their information? Would it help your guests if they could use this station to find where important features of the theatre are located... lounges, auxiliary snack bars, premium seating balconies first aid, table food and beverage service.



Battery
Powered



Optional
scanner



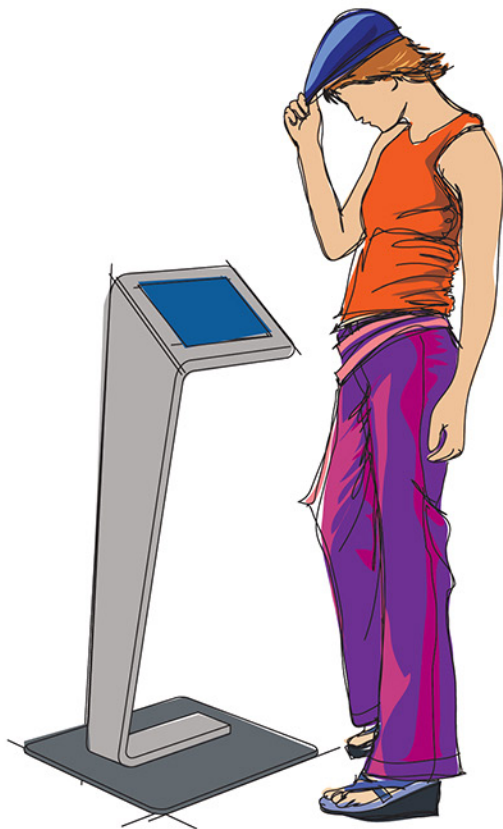
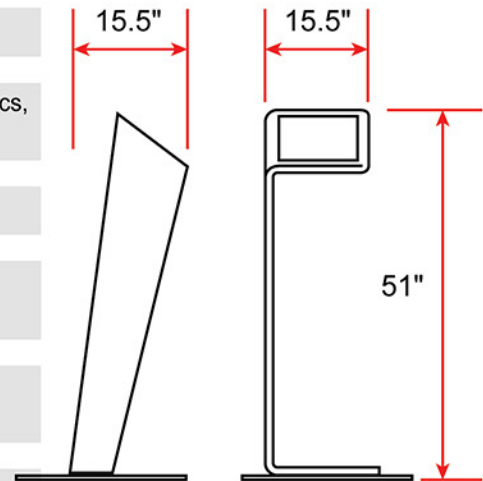
Touch or
Non touch

Touchmate Inc.
7703 North Lamar Boulevard, Suite 100
Austin, TX, 78752
www.touchmateUSA.com

512 949 3330 Phone
866 552 5426 fax

Aspire specifications:

| | |
|---------------------------|---|
| Display: | 10.1" WXGA LED backlit 1280 x 800 IPS touchscreen |
| Computer: | HP OEM-10t with Intel Atom Z8300 processor + HD Graphics, 2GB Memory, 32GB SSD, 2 USB 2.0 Ports |
| Auto Entry Device: | Datalogic DSE420 Imaging 2D Bar code scanner |
| Communications: | Intel 802.11 a/c Wifi or Gigabit Ethernet Bluetooth 4.0 for portable printing |
| Power: | 120v 15w AC Power supply and 2-cell 33 wHr Battery - energy star Certified |
| Operating system: | Windows 10 |



United States

TouchMate Inc.
7703 North Lamar Boulevard, Suite 100,
Austin, TX 78752
512 949 3330 Phone 866 552 5426 fax
Web: www.touchmateUSA.com
info@TouchMateUSA.com