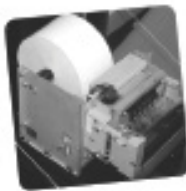


# the **ENDURO**

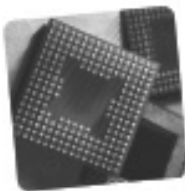
The Enduro is a versatile all weather IP65 rated kiosk that is engineered to withstand the outdoor environment. The Enduro is equipped with a projected capacitive touchscreen which responds quickly to the user's touch. A premium 19-inches ultra-high brightness outdoor display allows for easy viewing - from any angle, no matter the weather condition.

The Enduro is a reliable, ADA-compliant solution which comes with a 3-year Warranty, can be equipped with a variety of options including a printer, protective glass, card readers and a Solid State thermal control device for extreme weather condition.

Good looks, quality, and a great value in a new generation of kiosk.



Optional  
Receipt  
Printer



Hi-resolution  
Outdoor  
LCD panel



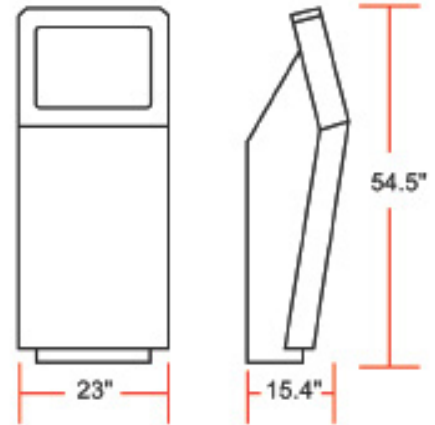
Eco Friendly,  
Low Power  
Consumption

**Touchmate Inc.**  
Suite 100, 7703 North Lamar Boulevard,  
Austin, TX, 78752  
[www.touchmateUSA.com](http://www.touchmateUSA.com)

512 949 3330 Phone  
866 552 5426 fax

## Enduro specifications:

Display	19" - 1600 nit outdoor LCD panel
Touch Technology:	Projected Capacitive
Processor :	i5 3.16GHz 4GB standard, up to i7 16GB
Operating systems:	Win 7 Pro 64-bit, Win 7 Emb, Win 8.1 Pro
Network/Ethernet:	Gigabit 100/1000 BaseT Ethernet
WiFi(wireless):	IEEE 802.11 a/b/g/n optional
Ports:	10 USB (6 USB 2.0, 3 USB 3.0)
Sound:	Dual Transducer (weatherproof)
Weight:	150 lbs / 68 kgs
Operating External Temperature:	-17C/54C 0F/130F
Operating External Humidity:	20% to 100%
Power Supply:	200W, AC 120-240V
Warranty:	3 year Limited Warranty (depot service), optional on-site service



## Additional options:

- Receipt/Ticket Printer
- Imaging Bar Code Scanner
- Mag Stripe Card Reader
- Optional 3-Technology Credit Card Input
- Internal HVAC
- Customized branding
- Wide color choices
- Embedded logo or screen printed graphics



### United States

**Touchmate Inc.**  
Suite 100 7703 North Lamar Boulevard, Austin, TX, 78752  
512 949 3330 Phone 866 552 5426 fax  
Web: [www.touchmateUSA.com](http://www.touchmateUSA.com)  
[info@touchmateUSA.com](mailto:info@touchmateUSA.com)

### Australia - New Zealand

**Touchmate Solutions**  
4/8 Bull drive, Brendale, Qld, 4500.  
07 3889 6031 Phone 07 3889 6028 fax  
Web: [www.touchmate.com.au](http://www.touchmate.com.au)  
[sales@touchmate.com.au](mailto:sales@touchmate.com.au)