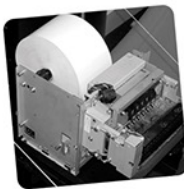


Gallery

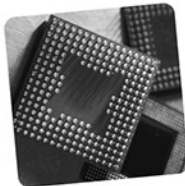
The **Gallery** is a stylish, large format kiosk solution. Designed to attract users, this kiosk maintains its elegant good looks in any environment. The premium ultra-high resolution 32 inch display allows for easy viewing of pictures and text, from any angle.

Ideally suited for wayfinding, product ordering, visitor check-in, and any application where self-service and instant-information is key to your business, the **Gallery** keeps your business operating in style. For permanent installations the **Gallery** can be bolted to the floor for added stability and security with the power and data cords directed through the base.

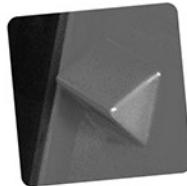
From printers to card readers, bar code scanners and EMV terminals, you have the ability to tailor this kiosk to fit your exact needs. And because you can choose from a nearly limitless selection of colors and graphics wraps, this kiosk truly reflects your business's image.



Optional
Receipt
Printer



High
Resolution
LCD panel



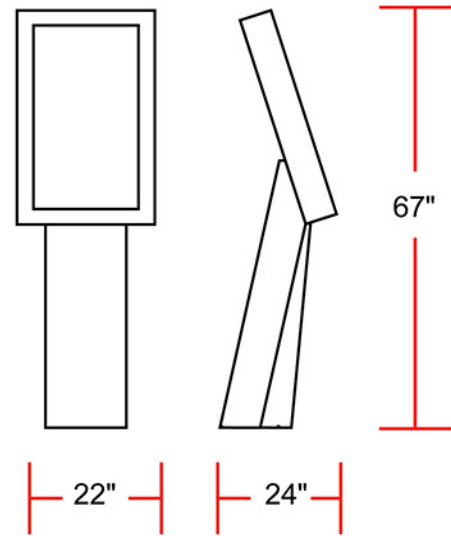
Optional
Peripheral
side pod

TouchMate Inc.
7703 North Lamar Boulevard, Suite 100
Austin, TX 78752
www.TouchMateUSA.com

512 949 3330 Phone
866 552 5426 fax

Gallery specifications:

Display:	32-inch LCD LED Backlight 16:9 1920 X 1080 Full HD or Surface Acoustic Wave Touch Technology, UL60950 Compliant Intel i5 Quad-core 3.1GHz Processor with 6MB Cache
Computer:	4GB Memory (standard), expandable to 16GB DDR3 500GB Fixed Disk Drive & DVD Reader/Writer Ethernet Gigabit Network Interface and 802.11 a/b/g/n Wireless Network standard 10 USB Ports (6 USB 2.0, 4 USB 3.0)
Sound:	Stereo 4-inch Front-mounted Speakers 8-watts RMS per channel, Two Channel Amplifier

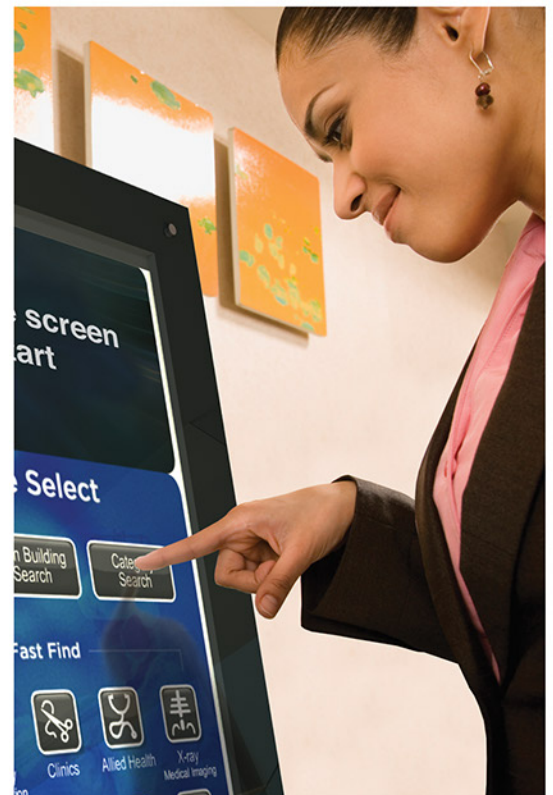


Options:

- **Printers:**
Star Micronics TUP 900 Thermal Printer with Presenter, 80mm or 112mm Media width, 6-inch Roll standard, intelligent controller monitoring printer health, paper status, low paper warning

Other printers available for 80mm receipt printing, 8 1/2 X 11 Paper, and card-stock ticket printing

Custom VKP80 Thermal Printer, 80mm Media width, 6-inch Roll standard, paper status, low paper warning
- **Credit Card Readers:**
Swipe-style magnetic stripe reader (either non-encoded or encrypted type), 2 or 3-track mode Insert-style magnetic stripe reader is also available
- **Bar Code Reader:**
Datalogic Imaging 1D/2D Bar Code Reader, capable of reading codes from cell phone screens
- **EMV terminals:**
A wide range of EMV certified terminals - please enquire about your bank specific requirement.



United States

TouchMate Inc.
7703 North Lamar Boulevard, Suite 100, Austin, TX 78752
512 949 3330 Phone 866 552 5426 fax
Web: www.touchmateUSA.com
info@TouchMateUSA.com

Australia - New Zealand

TouchMate Solutions
4/8 Bult drive, Brendale, Qld, 4500,
07 3889 6031 Phone 07 3889 6028 fax
Web: www.touchmate.com.au
sales@TouchMate.com.au