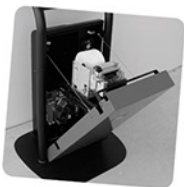
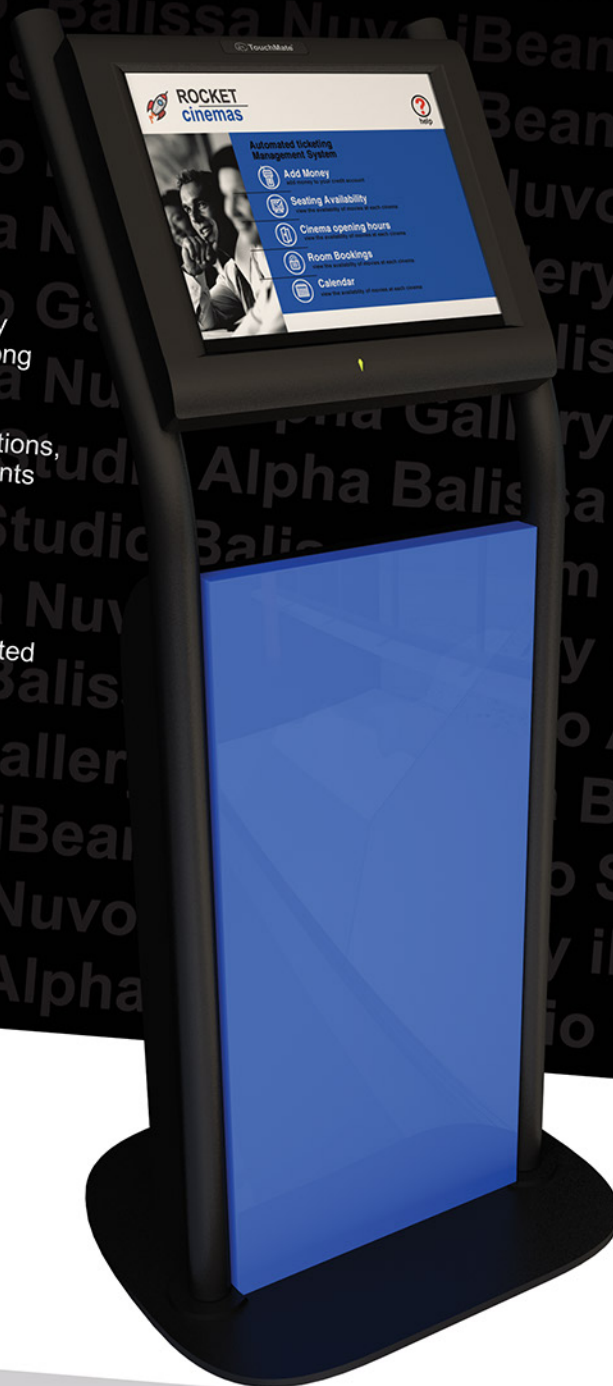


iBeam

Smart and elegant in design the iBeam is designed to fit seamlessly into virtually any environment, attract users and remain strong and secure in its deployed environment.

A wide range of printer options and adaptations, including front access for internal components makes this an extremely versatile, comprehensive all round solution.

For permanent installations the iBeam can be bolted to the floor for added stability and security with the power and data cords directed through the base.



Front opening



Wide range of options



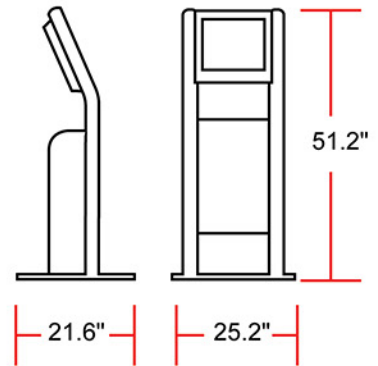
17" or 22" monitor options

Touchmate Inc.
Suite 100, 7703 North Lamar Boulevard,
Austin, TX, 78752
www.touchmateUSA.com

512 949 3330 Phone
866 552 5426 fax

iBeam specifications:

Display	17" or 22" Active Matrix TFT LCD w/LED Backlight, sealed flat glass surface
Touch Technology:	Projected Capacitive
Processor:	Intel Core i5-4570T 4th Generation VPRO 3.6 GHz
Memory:	4 GB DDR3 Memory (standard), optional up to 8 GB
Graphics:	Intel HD Graphics 4600 Processor
Ports:	6 USB 3.0
Video Ports:	2 DVI and 1 VGA standard
Storage:	128 GB SSD (standard), 500 GB HDD (optional)
Operating System:	Microsoft Windows 7, 8 & 10
Network/Ethernet:	Intel 1217LM Gigabit Network Connection (standard)
WiFi (wireless):	Intel Wireless-N 7260 802.11 M.2a/b/g/n (optional)
Weight:	up to 120 lbs (55 kg)
Operating Temperature:	32° to 95° F (0° to 35° C)
Operating Humidity:	20% to 80% (non-condensing)
Power Supply:	100-240 vac 50/60 Hz Energy Star Rated
Color Choice:	Powder Coating in any standard palette color
Graphics:	Application from Customer-supplied Artwork



Additional options:

Receipt/Ticket Printer	- StarTUP592 80mm Thermal printer, presenter & lighted bezel - Custom VKP80 80mm Thermal printer - Practical Automation kITL Ticketstock printer - Boca Systems Lemur-K Ticketstock printer
Credit Card Reader	- MagTek Swipe 3-track Reader non-encrypted or encrypted - VeriFone VX805 EMV Reader 3-technology input - Others by request
Bar Code Scanner	- Motorola 457 1D/2D Omni-directional Imaging Bar Code Scanner - Others by request
Second Display	- 24" or 32" LCD Signage Display (overhead mounting)
Advertising Light Box	- 24" Static Rear Illuminated Light Box (overhead mounting)



United States

Touchmate inc.
Suite 100 7703 North Lamar Boulevard, Austin, TX, 78752
512 949 3330 Phone 866 552 5426 fax
Web: www.touchmateUSA.com
info@touchmateUSA.com

Australia - New Zealand

Touchmate
4/8 Bult drive, Brendale, Qld, 4500,
07 3889 6031 Phone 07 3889 6028 fax
Web: www.touchmate.com.au
sales@touchmate.com.au

